

1×2 CWDM Component (CWDM)

1. Description:

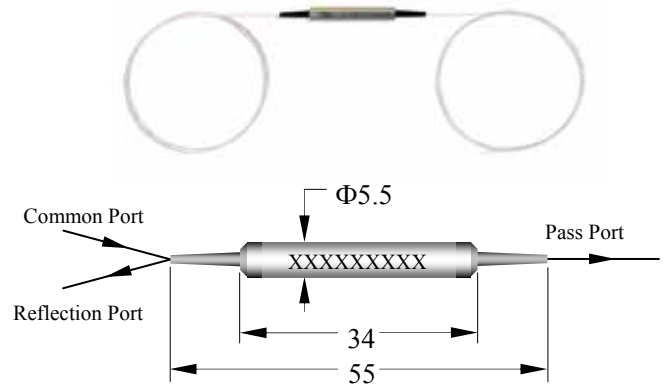
CWDM component are based on proven thin-film filter technology and can be used in multi-channel CWDM module. It features wide pass band, low insertion loss, high channel isolation, high stability and reliability.

2. Features:

- * Wide pass band
- * Low insertion loss
- * High channel isolation
- * High stability and reliability

3. Applications:

- * CWDM system
- * CWDM Mux/Demux module



4. Specifications:

Parameter		Type	1×2
Central wavelength (nm)			1271, 1291, 1311, 1331, 1351, 1371, 1391, 1411, 1431, 1451, 1471, 1491, 1511, 1531, 1551, 1571, 1591, 1611
Operating wavelength (nm)			1260~1460 or 1460~1620 or 1260~1620
Insertion loss (dB)	Transmission		≤0.6
	Reflection		≤0.4(@1260~1640 or 1460~1620)
			≤0.6(@1260~1620)
Channel space (nm)			20
Channel bandwidth (nm)			$\lambda_c \pm 6.5$
Channel flatness (dB)			≤0.4
Isolation (dB)	Adjacent channel		≥30
	Non-adjacent channel		≥40
	Mux or Reflection channel		≥15
Directivity (dB)			≥55
Return loss (dB)			≥50
PDL (dB)			≤0.15
PMD (ps)			≤0.1
Wavelength thermal stability (nm/)			≤0.003
Insertion loss thermal stability (dB/)			≤0.005
Power handling (mW)			≤500
Operating temperature ()			0 ~ +70
Storage temperature ()			-40 ~ +85
Dimensions (mm)			Φ5.5× L34

*The above specification is without connector.

**Other specifications can be made on customer request.

5. Product Ordering Information:

CWDM-X-XXX-TXXXX-RXXXX~XXXX-X-XX/XXX-XX*XX

