

## 7×1 Pump Combiner

### 1. Description:

This 7×1 multi-mode pump combiner is designed for high power fiber laser applications. It combines the power from N multimode lasers to create a high-power output with consigned fibers. It has a heat sink package and a hole for temperature monitoring.

### 2. Features

- High Power Transfer Efficiency
- Wavelength Insensitivity
- High power handling
- Custom Configurations Available



N×1 combiner

### 3. Specifications:

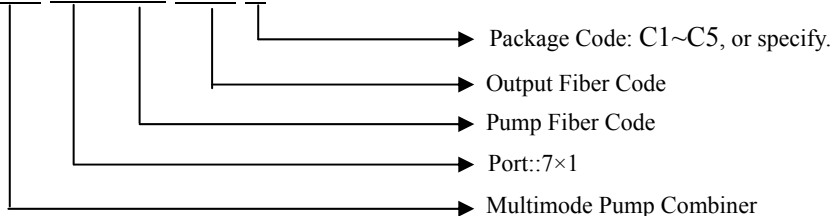
Type	Working WL (nm)	Input pump	Output fiber	Pump Effi.	Package Options
				Spec.	
7×1	800-1000	105/125 0.12	200/220 0.22	90%	C1, C2, C3
7×1	800-1000	105/125 0.12	125 0.46	90%	C1, C2, C3
7×1	800-1000	105/125 0.15	125 0.46	90%	C1, C2, C3
7×1	800-1000	105/125 0.22	125 0.46	90%	C1, C2, C3
7×1	800-1000	105/125 0.15	220/242 0.22	90%	C1, C2, C3
7×1	800-1000	105/125 0.22	200 0.46	90%	C1, C2, C3
7×1	800-1000	105/125 0.22	x/250 DCF (x=25,30um)	90%	C1, C2, C3
7×1	800-1000	105/125 0.22	400/440 0.22	90%	C2, C3
7×1	800-1000	105/125 0.22	20/400 0.06/0.46	90%	C2, C3
7×1	800-1000	200/220 0.22	400/440 0.22	90%	C4,C5
7×1	800-1000	200/220 0.22	20/400 0.06/0.46	90%	C4,C5
7×1	800-1000	220/242 0.22	20/400 0.06/0.46	90%	C4,C5
7×1	800-1000	220/242 0.22	400/430 0.37	90%	C4,C5

We recommend customer use above blue package, combiner package options as follows:

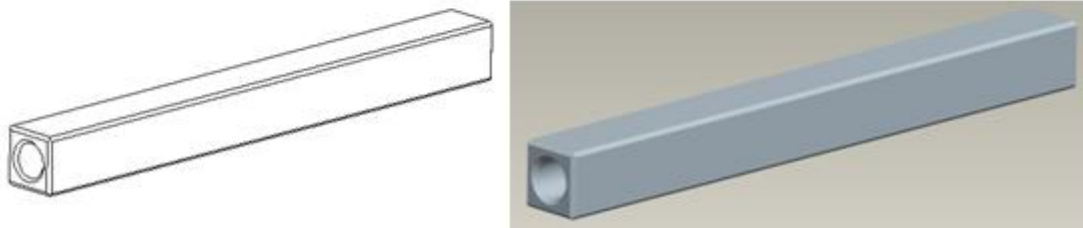
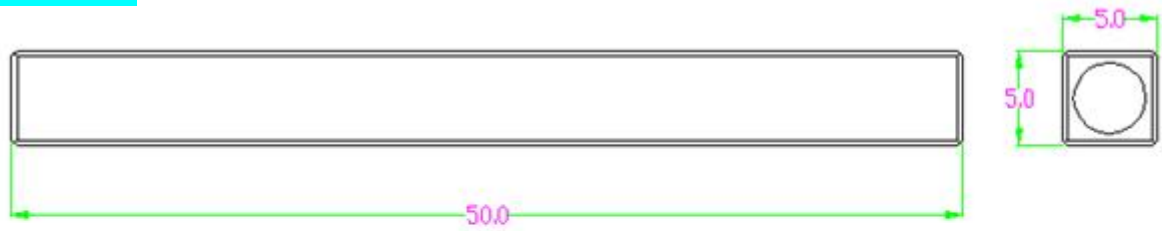
- C1: 50×5×5mm
- C2: Φ4×L60mm
- C3: 70×12×8-3.5mm
- C4: 70×12×8-5mm
- C5: 105×11×7mm

### 4. Product Ordering Information:

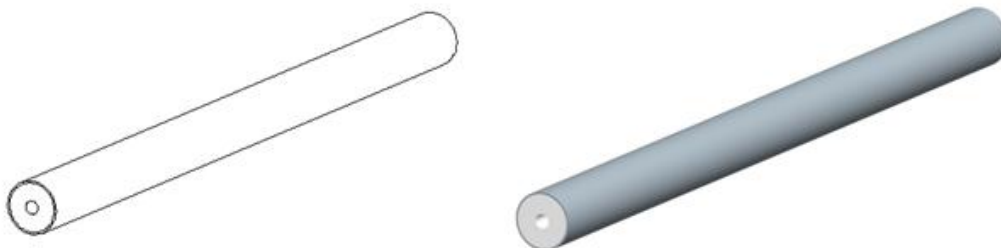
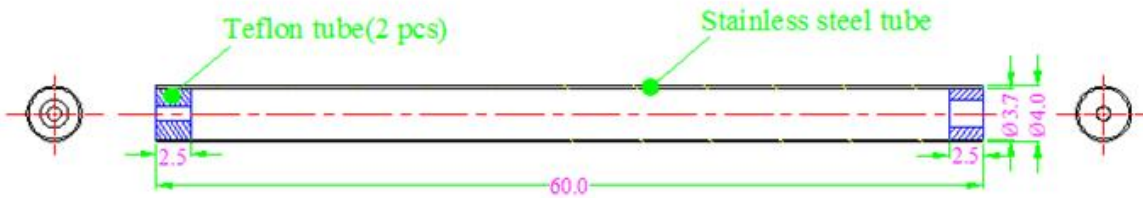
MPC-N×1-XXX-XXX-X



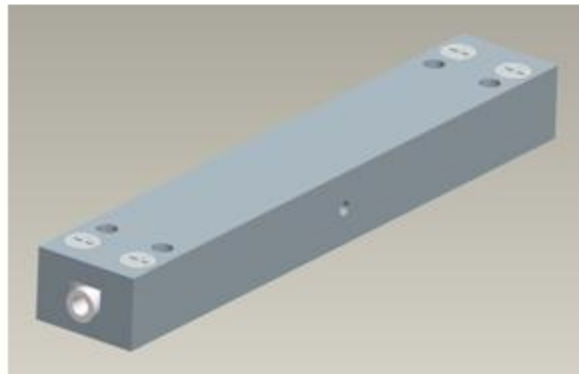
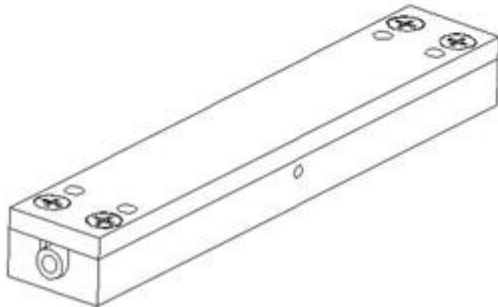
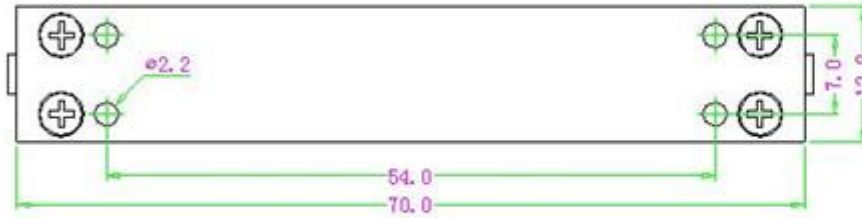
**Package C1**



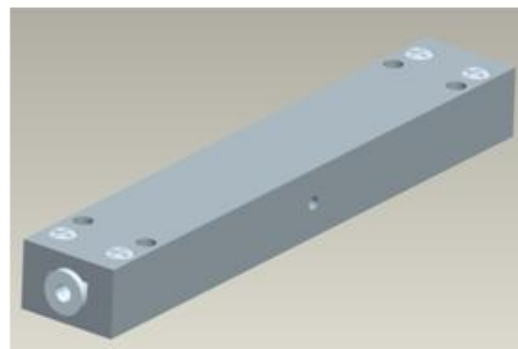
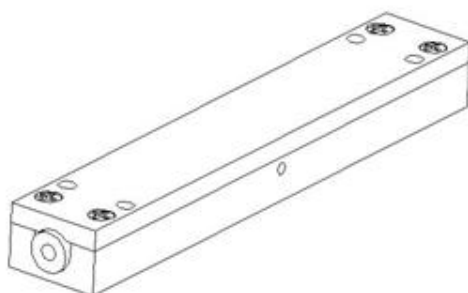
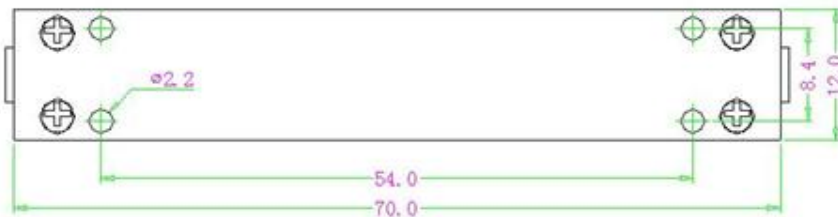
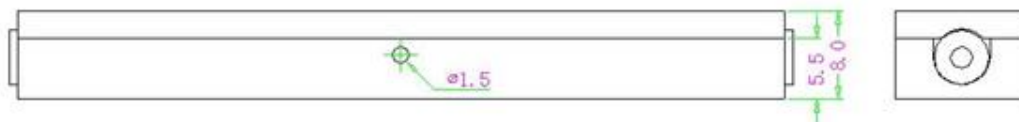
**Package C2**



**Package C3**



**Package C4**



**Package C5**

